

PaX-i Plus™



5.0 LP/MM PANO IMAGE QUALITY

- Optimal image for accurate diagnosis

RAPID CEPH

- 1.9 second acquisition time produces superb image quality
- Reduced motion artifacts and faster workflow

USER_FRIENDLY EZDENT_I SOFTWARE

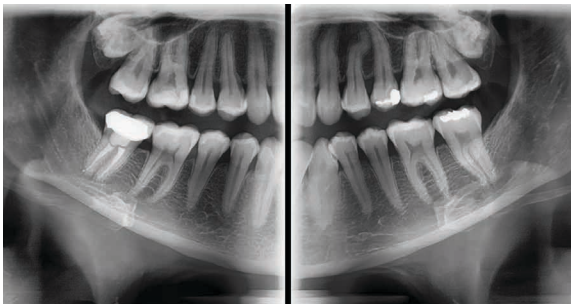
- Powerful diagnostic value with Insight feature
- Complete solution for consultation
- Easy to learn, easy to use

THE ADVANCED IMAGING SOLUTION FOR ACCURATE DENTAL DIAGNOSIS

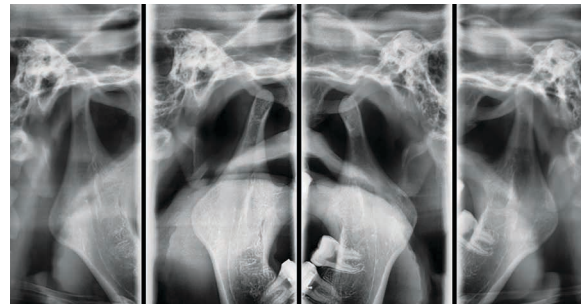
The PaX-i Plus provides the most precise and high quality panoramic images by combining image processing and accumulated experience in dental imaging from Vatech. This will increase your diagnostic accuracy for improved treatment planning and patient satisfaction.



MAKE YOUR DIAGNOSIS EASY AND EFFICIENT WITH VARIOUS CAPTURE MODES



Bitewing Mode



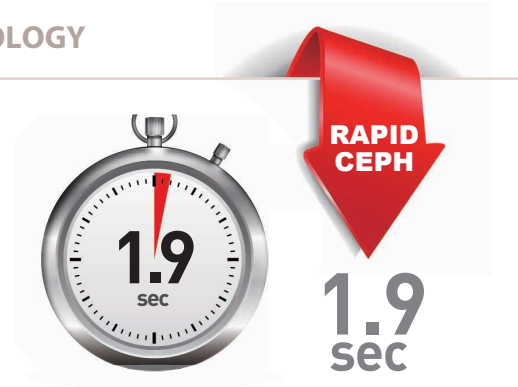
TMJ Mode

SELECTION	ARCH	EXAMINATION MODE
PANO EXAMINATION	Narrow / Normal Wide / Child	Standard / Right / Front / Left
	Orthogonal	Orthogonal Standard / Right / Front / Left Bitewing Standard / Right / Front / Left
SPECIAL EXAMINATION	Normal	TMJ LAT Open / Close TMJ PA Open / Close Sinus LAT / PA

MINIMIZE MOTION ARTIFACTS WITH RAPID CEPH TECHNOLOGY

The next step in cephalometric technology, Vatech's new Rapid Ceph minimizes motion artifacts and enables faster diagnostic workflow while providing the highest quality digital images.

GREAT CLINICAL CARE WITH RAPID CEPH TECHNOLOGY



PRODUCT CONFIGURATION

	PANO	CEPH
PaX-i Plus	•	–
PaX-i Plus RC	•	•

SPECIFICATIONS (PaX-i Plus : PCH-30CS)

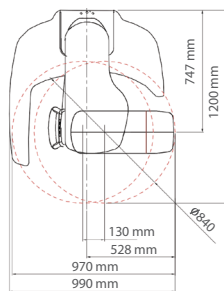
Function		Pano + Ceph	
Focal Spot		0.5 mm (IEC60336)	
Scan Time	Pano	Normal	10.4 sec
		HD	14 sec
	Ceph	1.9 / 3.9 sec	
Gray Scale		14 bit	
Tube Voltage / Current		60 ~ 99 kV / 4 ~ 10 mA	

Weight	Without Ceph unit	95 kg (209.4 lbs. – without Base)
	With Ceph unit	135 kg (297.6 lbs. – with Base)
Dimensions	Without Ceph unit	990 mm (L) x 1200 mm (W) x 2300 mm (H)
	With Ceph unit	1930 mm (L) x 1200 mm (W) x 2300 mm (H)

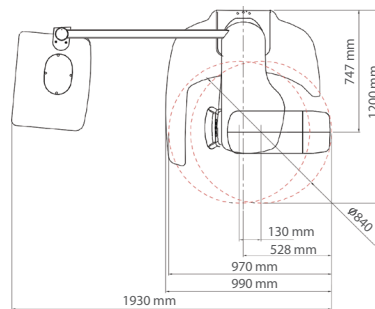
* The specifications are subject to change without prior notice.

DIMENSIONS [Unit: mm]

TOP VIEW



Without CEPH unit



With CEPH unit

FRONT VIEW

